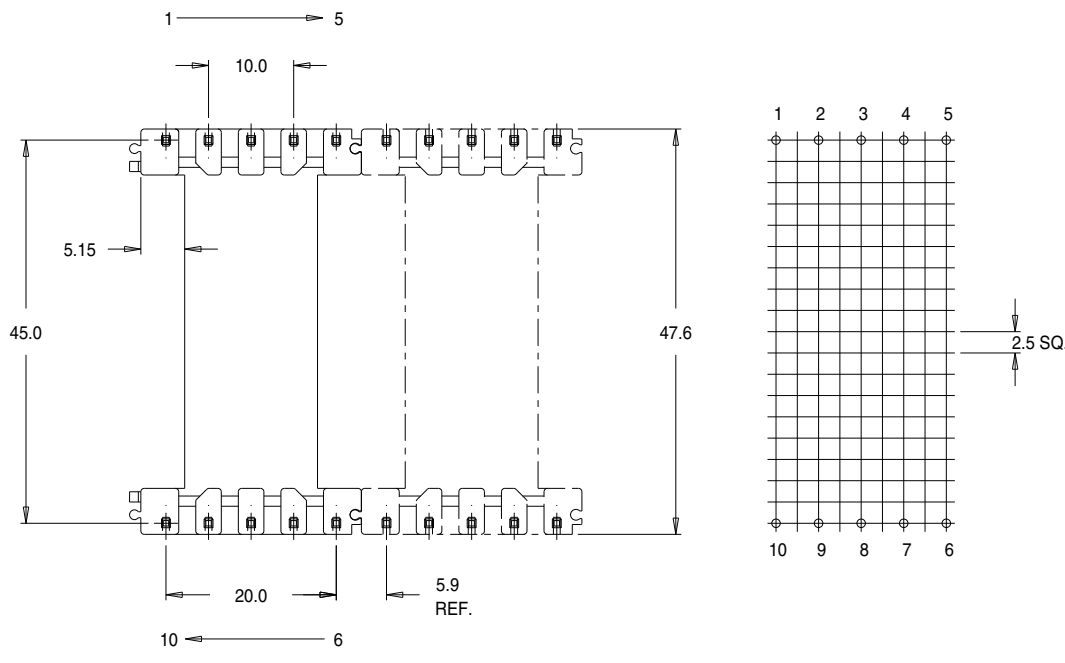
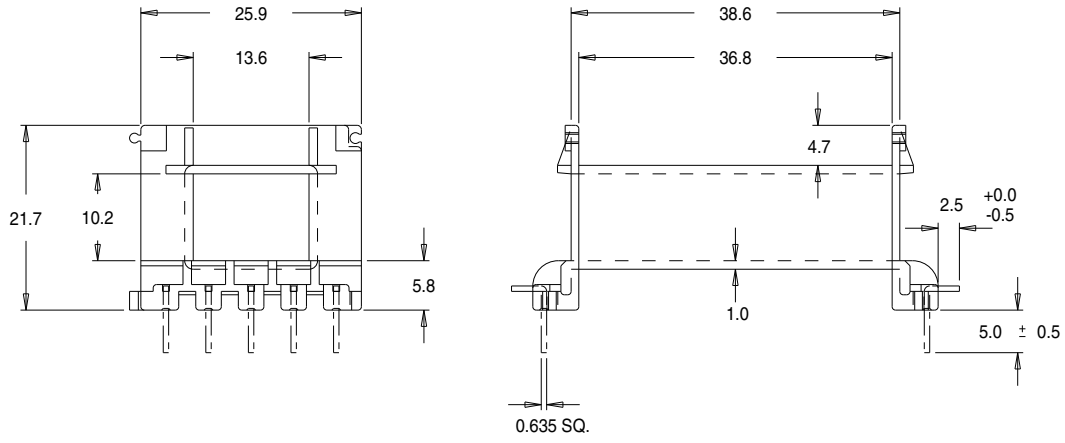


Part No. U39106
 UI39 x 10.2 Single Section 'U' Range Bobbin



Dimensions in millimetres.

